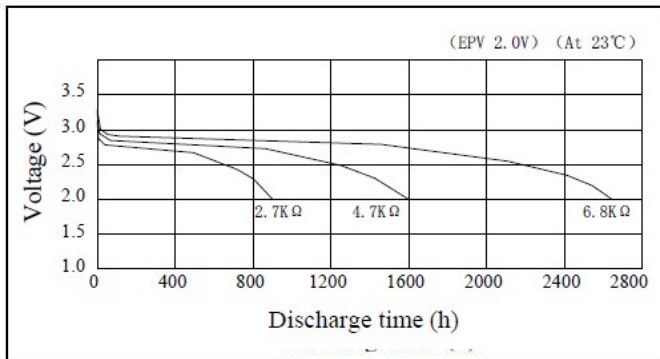


**Description** : Flat Lithium Battery  
**Chemical system** : Lithium Manganese Dioxide  
**Nominal voltage** : 3 Volts  
**Nominal capacity** : 1000mAh  
**Dimensions** :  $\varnothing 24.5\text{mm} \times 7.7\text{mm}$   
**Shelf life** : 10 years at room temperature  
**Average weight** : 10.5 grams  
**Operation temperature** :  $-20^{\circ}\text{C} \sim 60^{\circ}\text{C}$   
**Storage temperature** :  $20 \pm 2^{\circ}\text{C}$

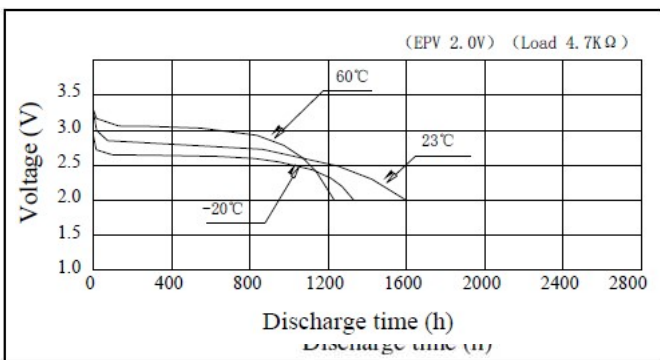
### Cross References:

IEC	JIS	Panasonic	Varta
CR2477	CR2477	CR2477	CR2477

### Discharge Characteristics



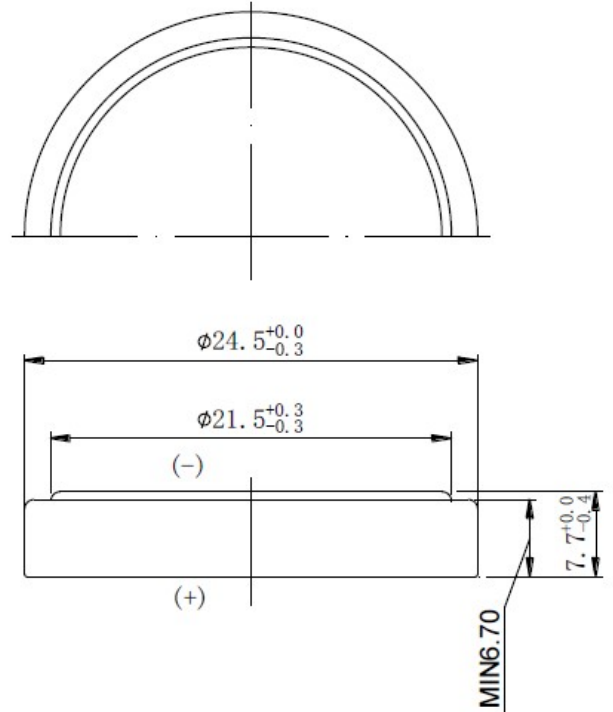
### Discharge Characteristics on Temperature



[gpbatteries.com](http://gpbatteries.com)

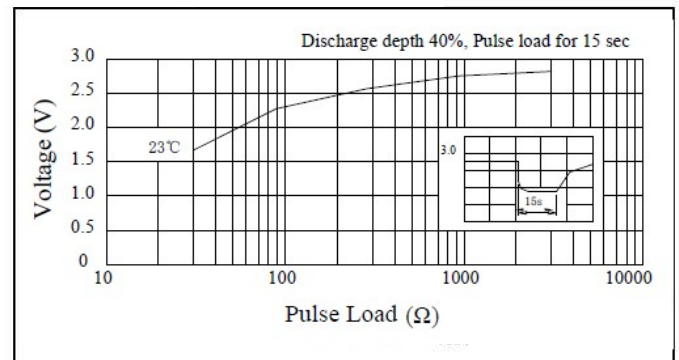
Manufacturer reserves the right to alter or amend the design, model and specification with out prior notice.  
 Copyright© GP Batteries International Limited - All rights reserved

Model No.: **CR2477**



Dimension Drawing

### Pulse discharge characteristics



The information (subject to change without prior notice) contained in this document is for reference only and should not be used as a basis for product guarantee or warranty. For applications other than those described here, please consult your nearest GP Sales and Marketing Office or Distributors.